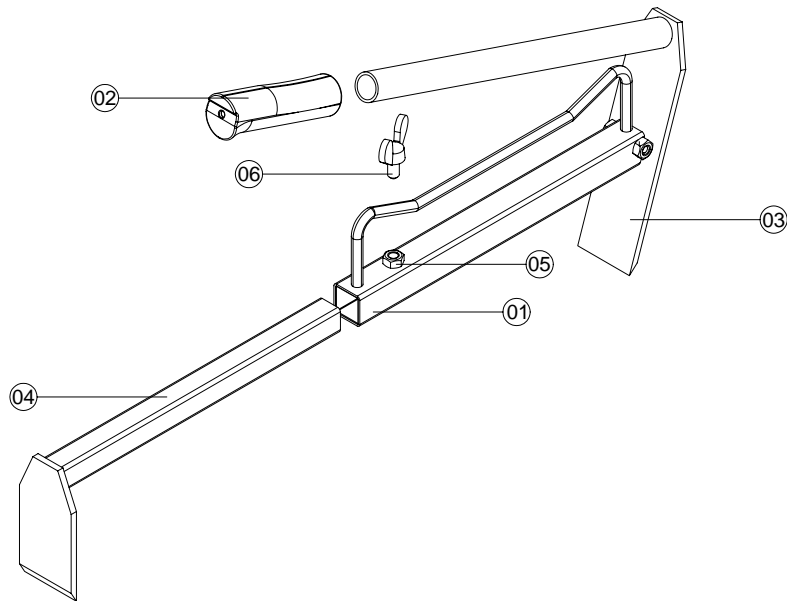


ORIT Adjustable Brick Handle



Nr.	Spare part	Specification	Ordering number
0	ORIT Adjustable Brick Handle		ABH-0000-000
1	Bow part		ABH-RAL....-001
2	Handle		ABH-0000-002
3	Lever part		ABH-RAL....-003
4	Adjustable part		ABH-RAL....-004
5	Nut M8	M8 DIN 934	ABH-0000-005
6	Butterfly nut M8	M8 x 30 DIN 933	ABH-0000-006

All rights reserved

Tel: +31 (0)13-4679128 Fax: +31 (0)13-4679127 E-mail: info@orit.nl Website: www.orit.nl